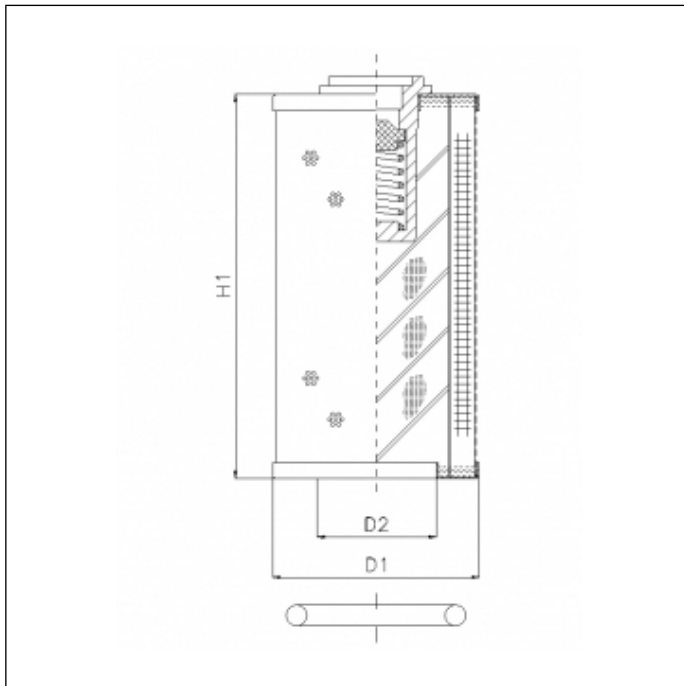


WG257

printed on: 20-10-2024

TECHNICAL INFO

Media type	INORGANIC FIBERGLASS
Efficiency	10 $\mu\text{m}_{(c)}$ $\beta_x \geq 200$
Efficiency 1	12 $\mu\text{m}_{(c)}$ $\beta_x \geq 1000$
Flow direction	OUT-IN
Collapse Δp	5 bar
Bypass setting	1.7 bar
Seals	NBR
Temperature range	-30°C +100°C
Note	SPRING AND AIR BREATHER FILTER ELEMENT INCLUDED.



OVERALL DIMENSIONS

D1	70,0 mm
D2	41,0 mm
H1	130,0 mm

Technical information may change without notice. Image and drawing are representative only