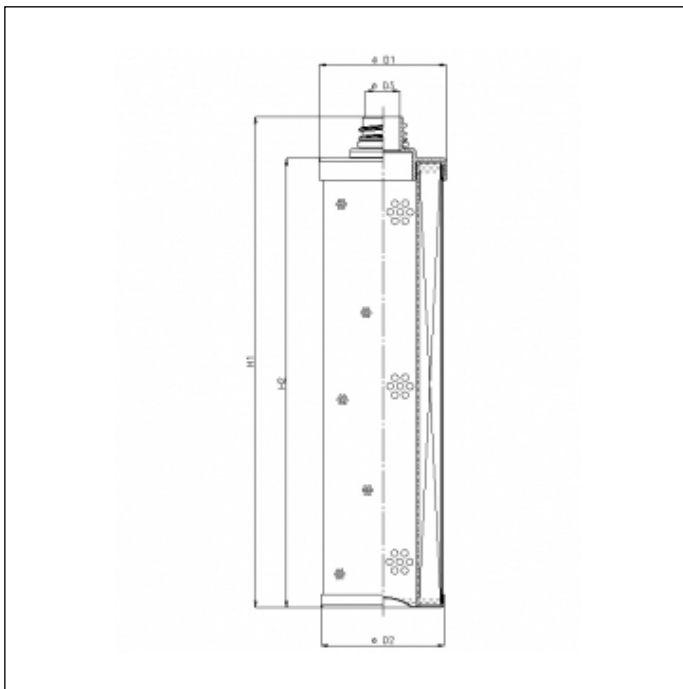


TECHNICAL INFO

Media type	INORGANIC FIBERGLASS
Efficiency	10 $\mu\text{m}_{(c)}$ $\beta_x \geq 200$
Efficiency 1	12 $\mu\text{m}_{(c)}$ $\beta_x \geq 1000$
Flow direction	OUT-IN
Collapse Δp	20 bar
Seals	NBR
Temperature range	-30°C +100°C



OVERALL DIMENSIONS

D1	58,0 mm
D2	56,0 mm
D3	15,5 mm
H1	224,0 mm
H2	205,0 mm