

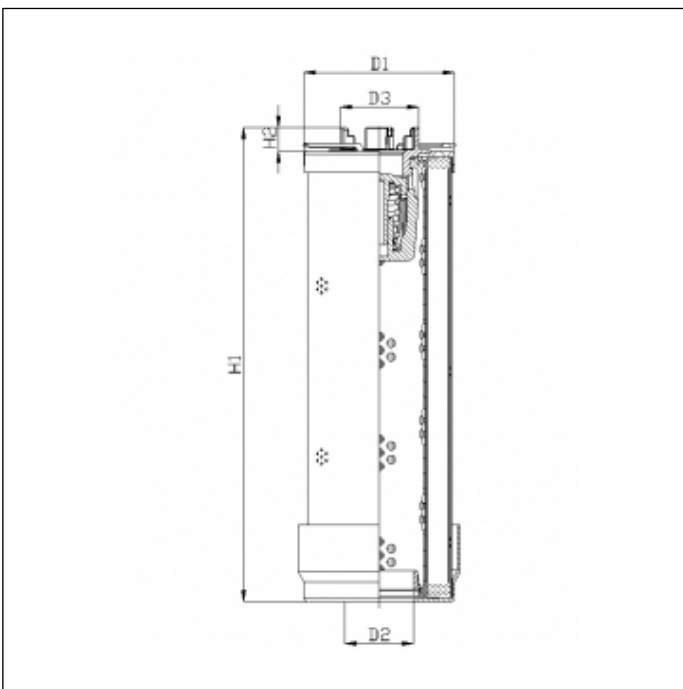
RHR210G10B3/AB1

printed on: 19-10-2024



TECHNICAL INFO

Media type	INORGANIC FIBERGLASS
Efficiency	10 $\mu\text{m}_{(c)}$ $\beta_x \geq 200$
Efficiency 1	12 $\mu\text{m}_{(c)}$ $\beta_x \geq 1000$
Flow direction	OUT-IN
Collapse Δp	20 bar
Bypass setting	3.0 bar
Seals	NBR
Temperature range	-30°C +100°C



OVERALL DIMENSIONS

D1	88,0 mm
D2	40,1 mm
D3	45,8 mm
H1	277,0 mm
H2	14,0 mm

Technical information may change without notice. Image and drawing are representative only