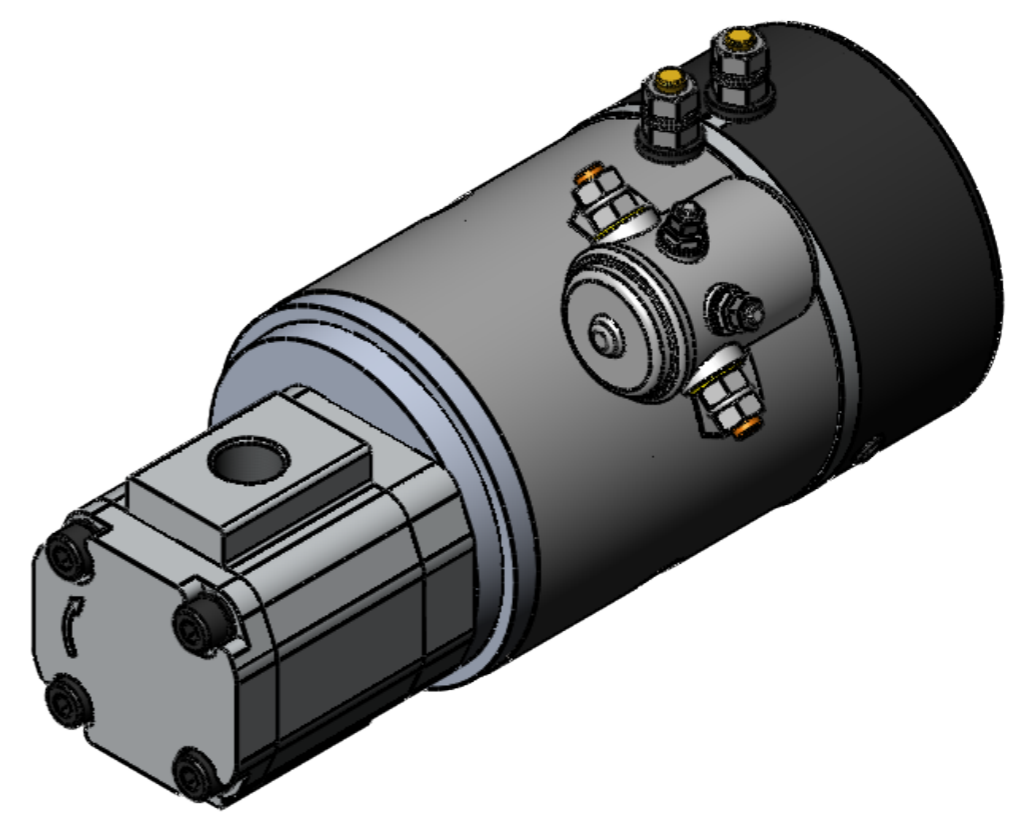
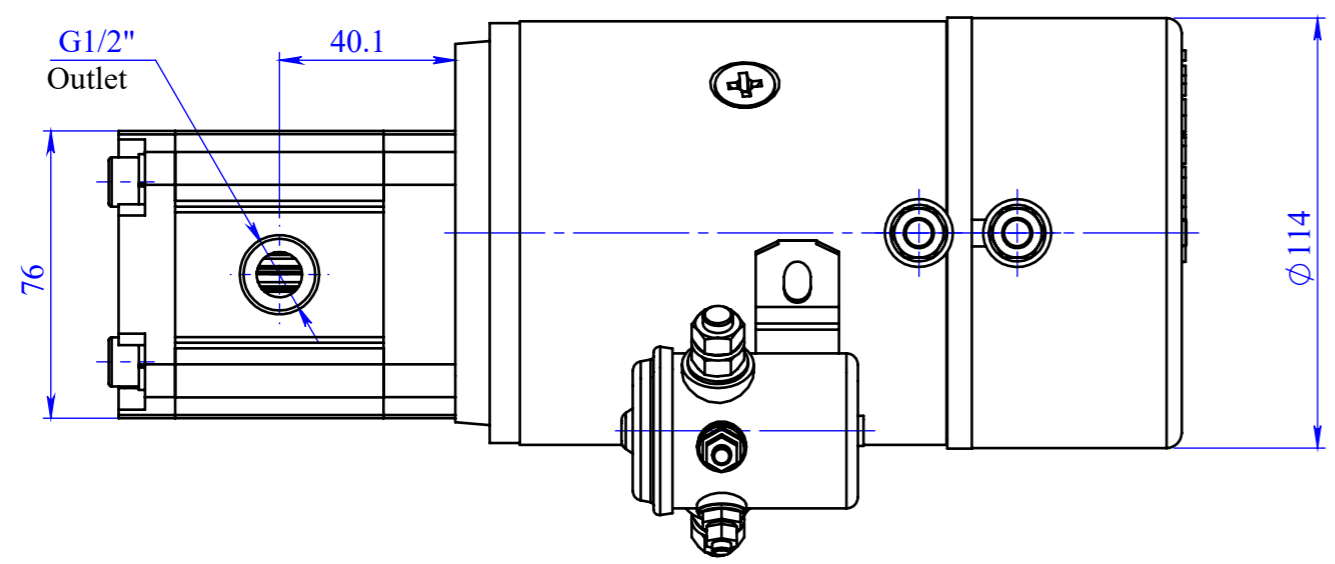
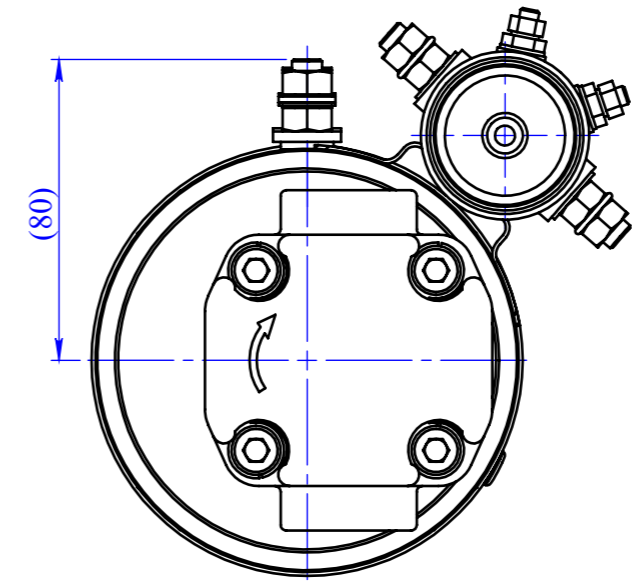
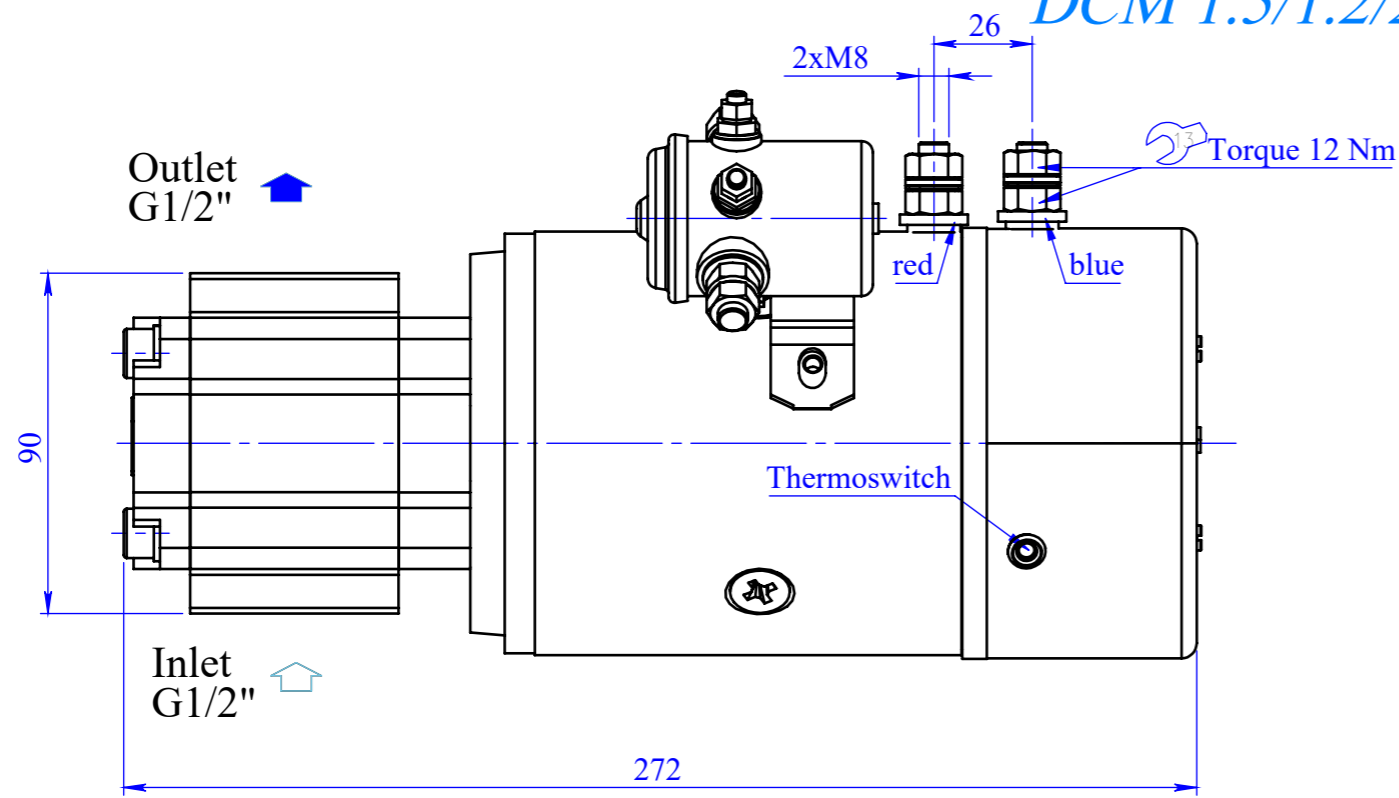
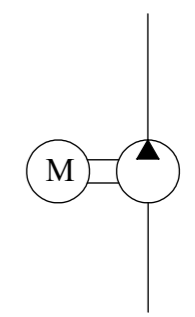


MOTOR - PUMP

DCM 1.5/1.2/27-01 - 10A1.25X0001G



Hydraulic scheme



MOTOR

Rated Power 1.5 kW
 Rated Voltage 12 V DC
 Rated Speed 2700 rpm
 Rated Current 180 A
 Duty Cycle S2 = 4 min
 Protection IP 44

PUMP

Max pressure 205 bar
 Displacement 1.25 cc/rev
 Flow ~ 3.3 L/min



JOINT-STOCK COMPANY
caproni

HYDRAULIC COMPONENTS AND SYSTEMS

6100 Kazanlak, BULGARIA, 45, General Stoletov Str.
 Tel: +359 /431/62 227; 63 364
 Fax: +359 /431/ 62 230; +359 /431/ 63 134
 E-mail: caproni@caproni.bg; WEB: <http://www.caproni.bg>