

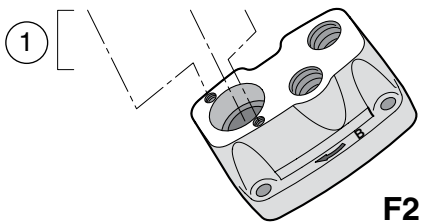
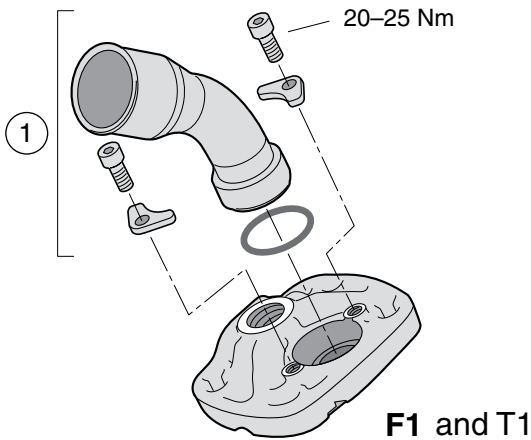


Visit our homepage for additional support
parker.com/pmde

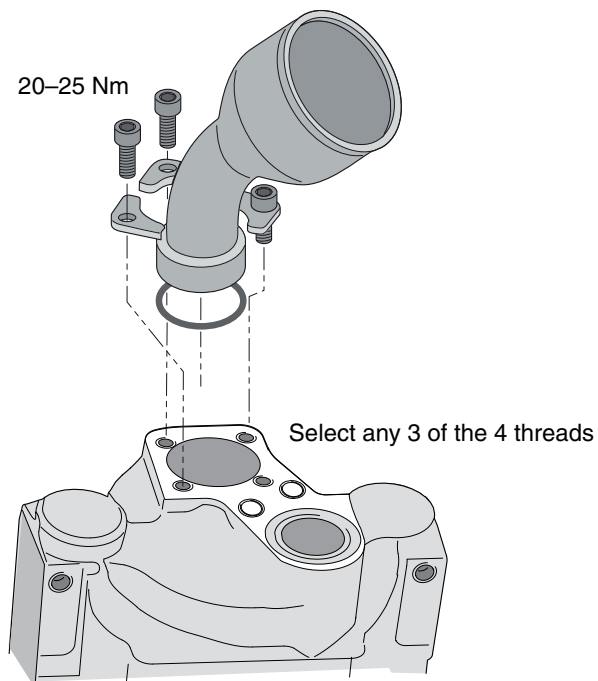
Installation information for suction fitting on pump Series F1, T1, F2, VP1

Effective: March 01, 2018
Supersedes: June 15, 2016

Installation of suction fitting on pump, series F1, T1 and F2



Installation of suction fitting on pump, serie VP1



Parker Hannifin Manufacturing Sweden AB MSG30-8209-INST/UK
Pump & Motor Division Europe Art. No 3720554-02
Flygmotorvägen 2
461 82 Trollhättan
Sweden
Tel. +46 (0)520 40 45 00
www.parker.com/pmde

© Copyright 2018
All rights reserved