

# Valves

## Valves with NAMUR-Interface

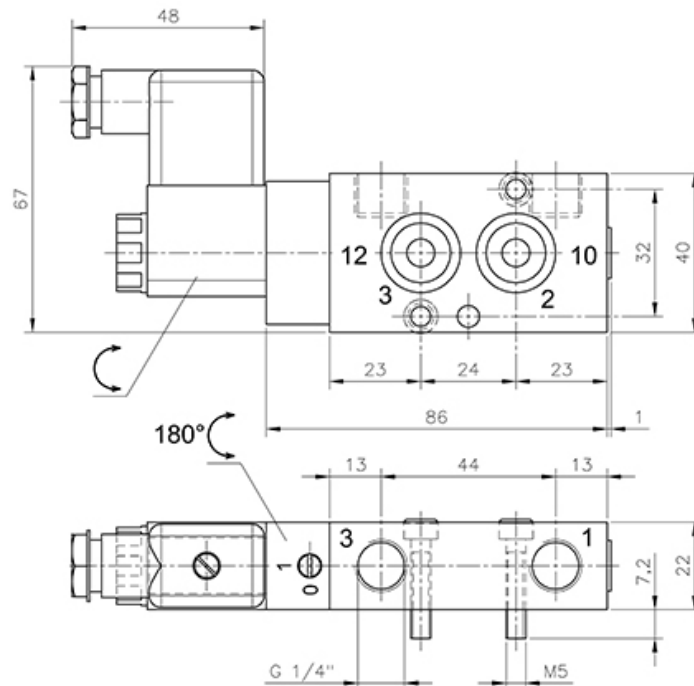
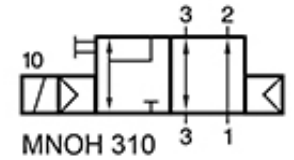
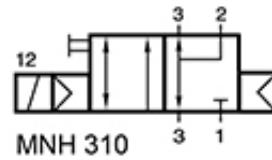
### Solenoid valves

### 3/2-way valves

### MNH 310 701

Solenoid valve with NAMUR interface | monostable | air spring return | with manual override

HAFNER



## Specifications

Port size	G 1/4"
Air flow	1250 l/min
Operating pressure	2...10 bar
Funktion	Single solenoid   NC
Power consumption	3 W / 5 VA
Interface	NAMUR [1/4"]

[www.hafner-pneumatik.com](http://www.hafner-pneumatik.com)