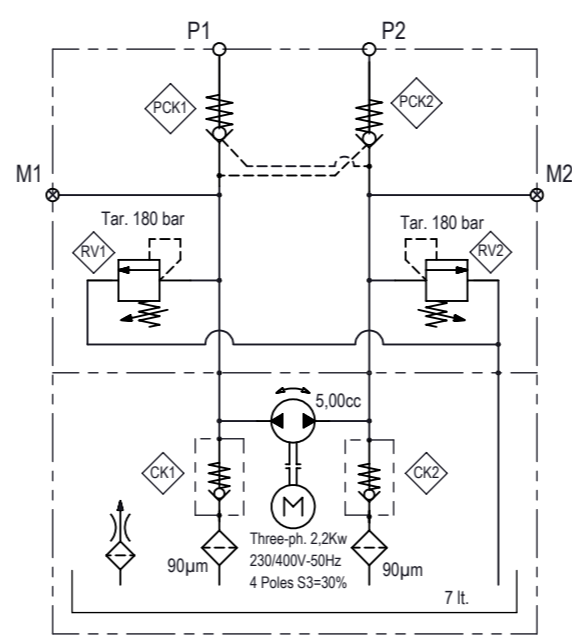
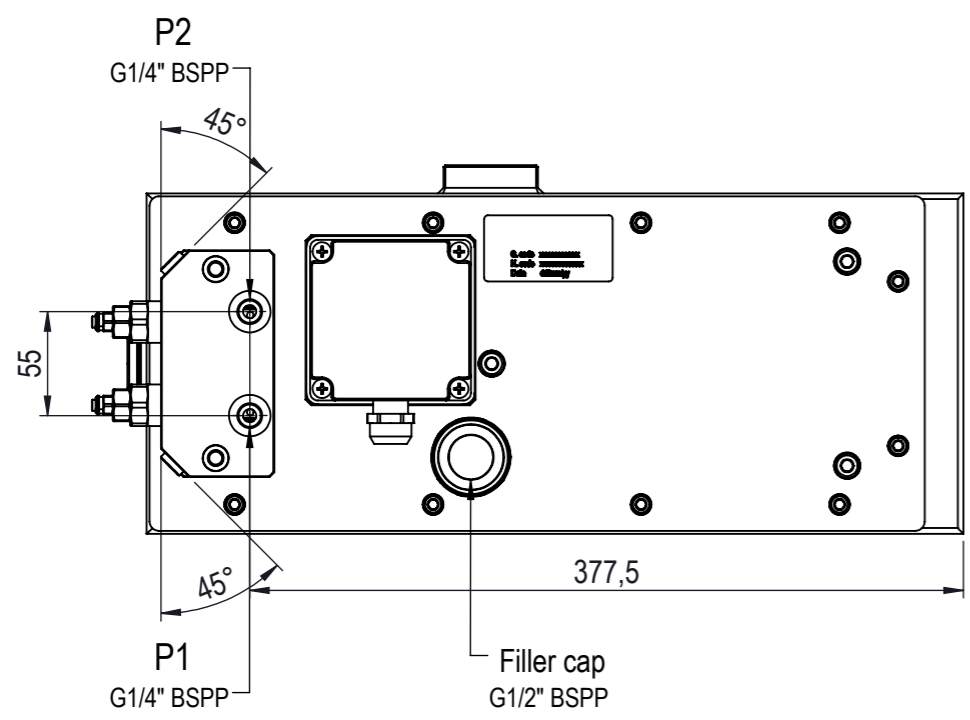
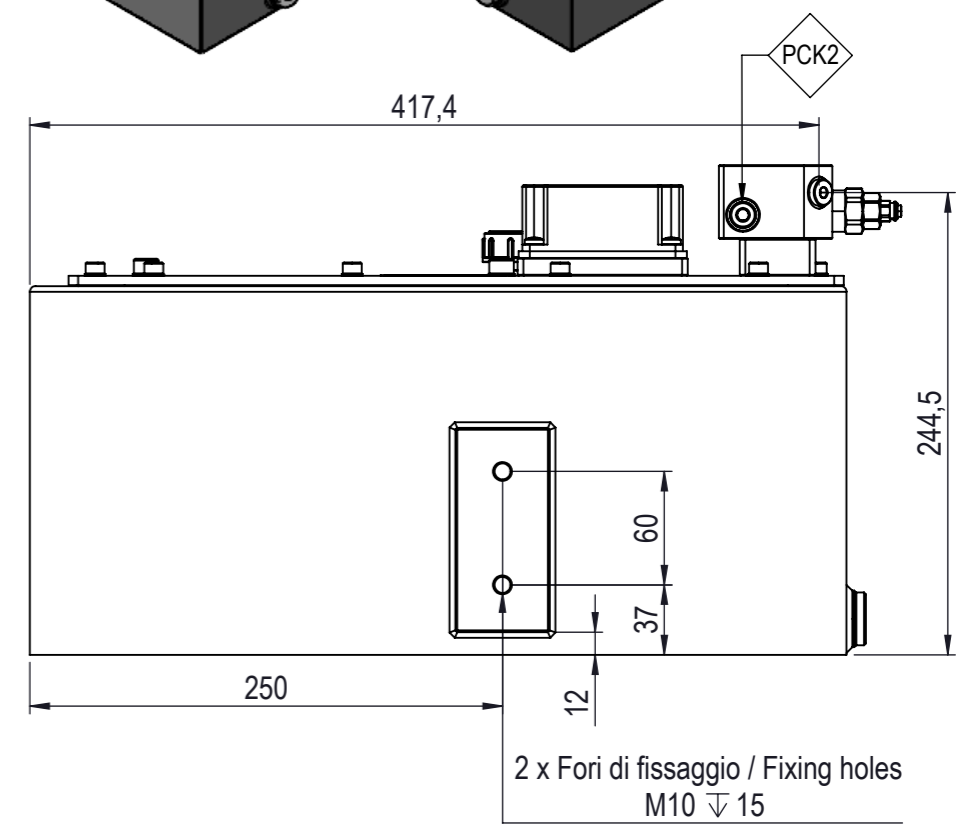
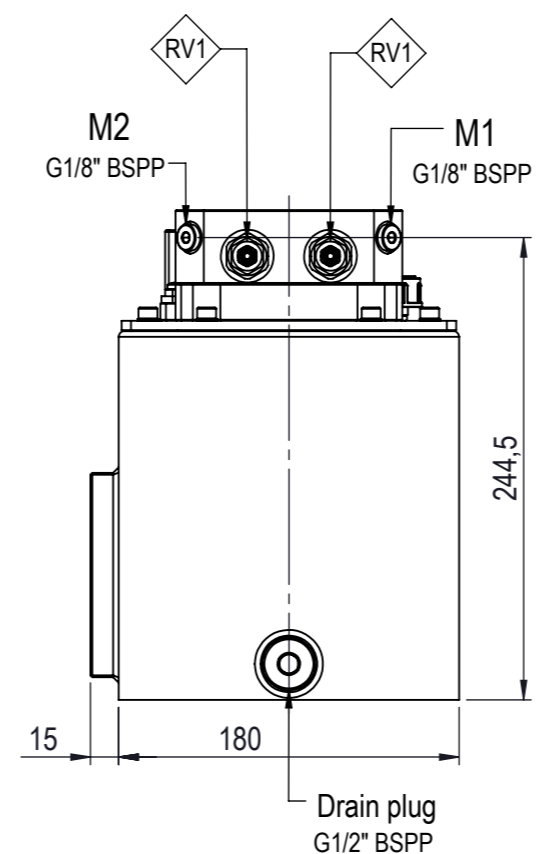
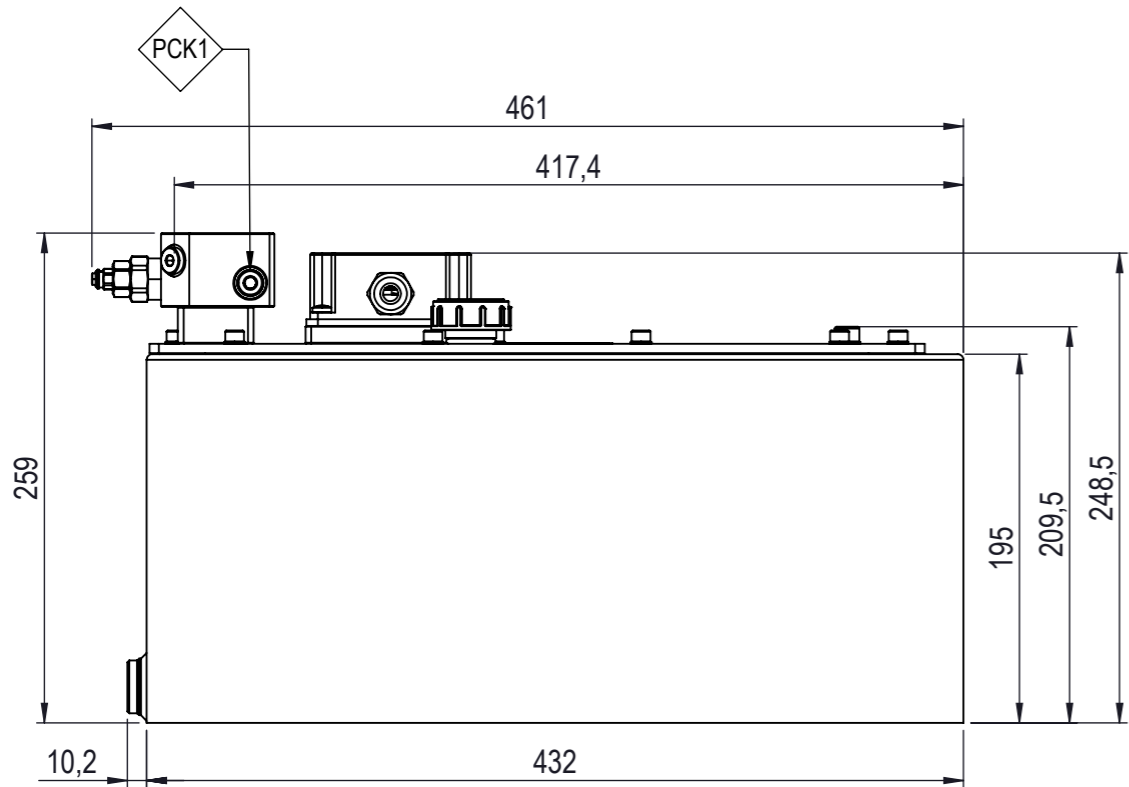
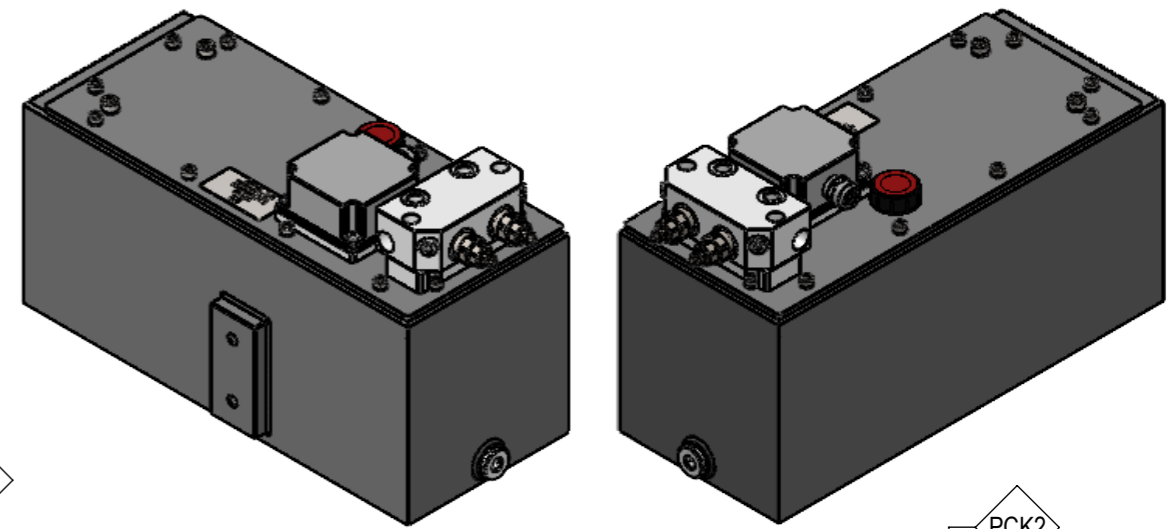


TECHNICAL DATA	
Pump rotation	Bidirectional / Reversible
Pump displacement	5,00cc
Pump flow	7,0 l/min
Max pressure setting	180 bar for each valve
Motor data	Three-phase 2,2Kw; 230/400V-50Hz 4 Poles; Duty cycle S3=30%; Efficiency=IE1
Nominal Reservoir capacity	7 lt.



Attacchi / Ports: P1-P2=G1/4" BSPP
M1-M2=G1/8" BSPP

BY TERMS OF LAW WE RESERVE THE OWNERSHIP OF THIS DESIGN WITH A PROHIBITION OF REPRODUCTION AND DISSEMINATION TO THIRD PARTIES WITHOUT OUR WRITTEN AUTHORIZATION										
Limit deviations for linear dimensions: CLASS: m UNI EN 22768-1		Limit deviations allowed for linear dimensions, excluding chamfers and fillets for eliminating corners: Values in mm					HEAT TREATMENT		DEPTH	
Limit deviations Tol/Form: CLASS: K UNI EN 22768-2		Range:	from 0,5 to 3	over 3 to 6	over 6 to 30	over 30 to 120	over 120 to 400	SURFACE TREATMENT		DEPTH
		Tol:	±0,1	±0,2	±0,3	±0,5				
NAME	SIGNATURE	DATA	CHAMFER NOT LISTED		NAME					
DRAWN	Tecnico 1	Tecnico 1	28/06/2024		FITTING NOT LISTED					
APPR.	Tecnico 1	Tecnico 1	28/06/2024		5,0cc Tree-Phase 2,2kW 4P AC 7lt. V					
		WEIGHT g		CODE						
		16485.29		H81X1050T000		REV		0		
		MATERIAL		SCALE 1:4		SHEET 3 DI 3		A3		

Modifiche Rev.4
Modifiche Rev.2

Modifiche Rev.3
Modifiche Rev.1

8 7 6 5 4 3 2 1

8 7 6 5 4 3 2 1