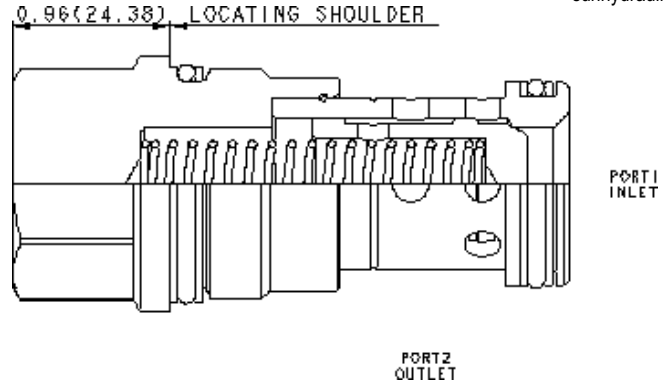


CONFIGURATION

X	Control	Not Adjustable
A	Cracking Pressure	4 psi (0,3 bar)
N	Seal Material	Buna-N
(none) Material/Coating		



Free-flow, nose-to-side check valves are on/off circuit components that allow free flow from the inlet (port 1) to the outlet (port 2) and block flow in the opposite direction.

TECHNICAL DATA

NOTE: DATA MAY VARY BY CONFIGURATION. SEE CONFIGURATION SECTION.

Cavity	T-16A
Series	3
Capacity	320 L/min.
Maximum Operating Pressure	350 bar
Maximum Valve Leakage at 110 SUS (24 cSt)	0,07 cc/min.
Valve Hex Size	31,8 mm
Valve Installation Torque	203 - 217 Nm
Seal kit - Cartridge	Buna: 990016007
Seal kit - Cartridge	EPDM: 990016014
Seal kit - Cartridge	Polyurethane: 990016002
Seal kit - Cartridge	Viton: 990016006
Model Weight	0.42 kg.

CONFIGURATION OPTIONS

Model Code Example: **CXHAXAN**

CONTROL	(X) CRACKING PRESSURE	(A) SEAL MATERIAL	(N) MATERIAL/COATING
X Not Adjustable	A 4 psi (0,3 bar)	N Buna-N	Standard Material/Coating
L Manual Override	C 30 psi (2 bar)	E EPDM	/AP Stainless Steel, Passivated
	B 15 psi (1 bar)	V Viton	/LH Mild Steel, Zinc-Nickel
	D 50 psi (3,5 bar)		
	E 75 psi (5 bar)		
	F 100 psi (7 bar)		

TECHNICAL FEATURES

- Two-port check valves share the same cavity for a given frame size, however, pay close attention as flow paths may be in opposite directions.
- Check valves offer extremely low leakage rates with a maximum leakage of less than 1 drop per minute (0,07 cc/min).
- Will accept 5000 psi (350 bar) at ports 1 and 2.
- Cartridges configured with EPDM seals are for use in systems with phosphate ester fluids. Exposure to petroleum based fluids, greases and lubricants will damage the seals.
- Corrosion resistant cartridge valves are intended for use in corrosive environments and are identified by the model code suffix **/AP** or **/LH** (see CONFIGURATION section). For further details, please see the Materials of Construction page.
- Incorporates the Sun floating style construction to minimize the possibility of internal parts binding due to excessive installation torque and/or cavity/cartridge machining variations.

PERFORMANCE CURVES

