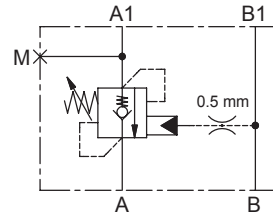


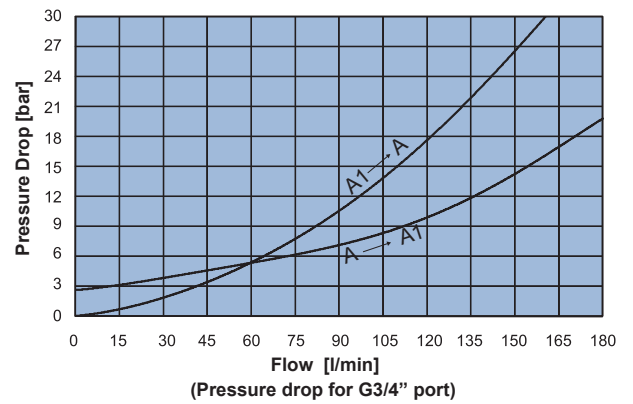
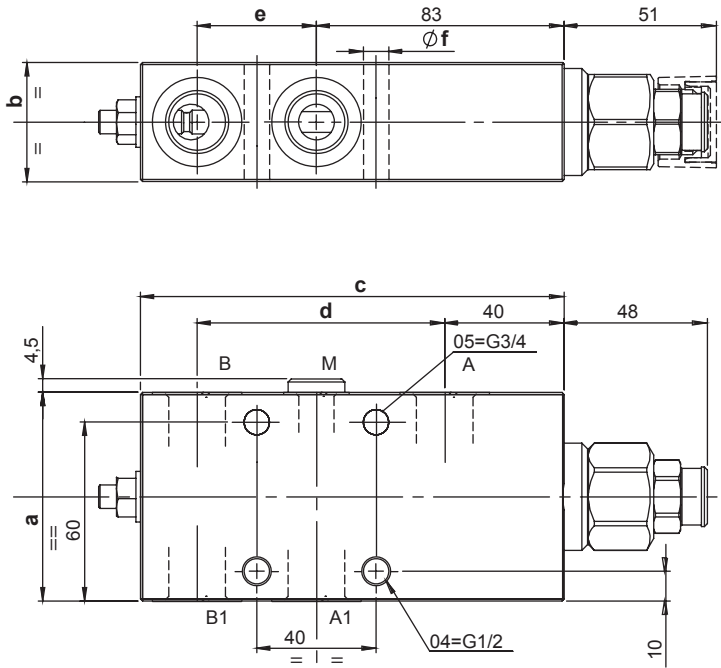
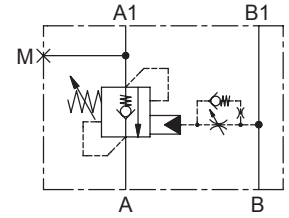
## SINGLE ACTING COUNTERBALANCE VALVE

- Flow..... **180 l/min**
- Max working pressure..... **410 bar**
- Compensation..... **Not Compensated**
- Weight G 1/2"..... **3 Kg**
- Weight G 3/4"..... **3,4 Kg**
- Tamper proof cap..... **cod. 9021030190**

**SCHEME 40 - 80**



**SCHEME 42 - 82**



**Note:**

- Pressure setting must be 30% higher than pressure induced by the load.
- Back pressure can influence the opening pressure (LHD15X-C is recommended for circuits with high back pressure)

	a	b	c	d	e	f
<b>04</b>	70	40	142	83	40	8,5
<b>05</b>	80	40	147	86	43	10,5

**Ordering code**

**H 1 5 0 4 N**       **S**    **0 0**

PILOT RATIO		SPRINGS			PORTS	
<b>40</b>	<b>4:1</b>	rp 4:1		rp 8:1	<b>04</b>	<b>05</b>
<b>42</b>	<b>4:1</b>	<b>2</b>	<b>4</b>	<b>4</b>	A,A1,B,B1	G 1/2" G 3/4"
<b>80</b>	<b>8:1</b>	Setting range min.-max. [bar]			M	G 1/4" G 1/4"
<b>82</b>	<b>8:1</b>	Pressure Increase [bar/turn]				
		Standard setting 4 l/min [bar]				

