

TD – 80972 D/E

DR 520-DeW

Dachreiniger / Roof Cleaner

Technische Daten

Druck	350bar (35MPa)
Temperatur	120°C
Drehzahl	max. 2000 U/min
Gehäuse	ø520
Wasseranschluss	G3/8"F
Düsenanschluss	2x 1/4"NPT-F
Durchflussmedium	Wasser (pH 3-12)

Technical Data

Pressure	350bar (35Mpa)
Temperature	120°C
RPM	max. 2000 rpm
Housing	ø520
Water connection	G3/8"F
Nozzle connection	2x 1/4"NPT-F
Throughput medium	water (pH 3-12)

Indication:

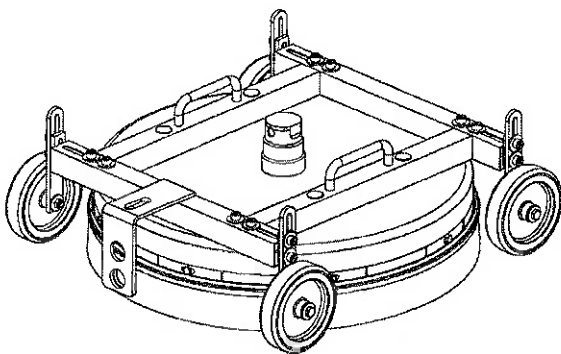
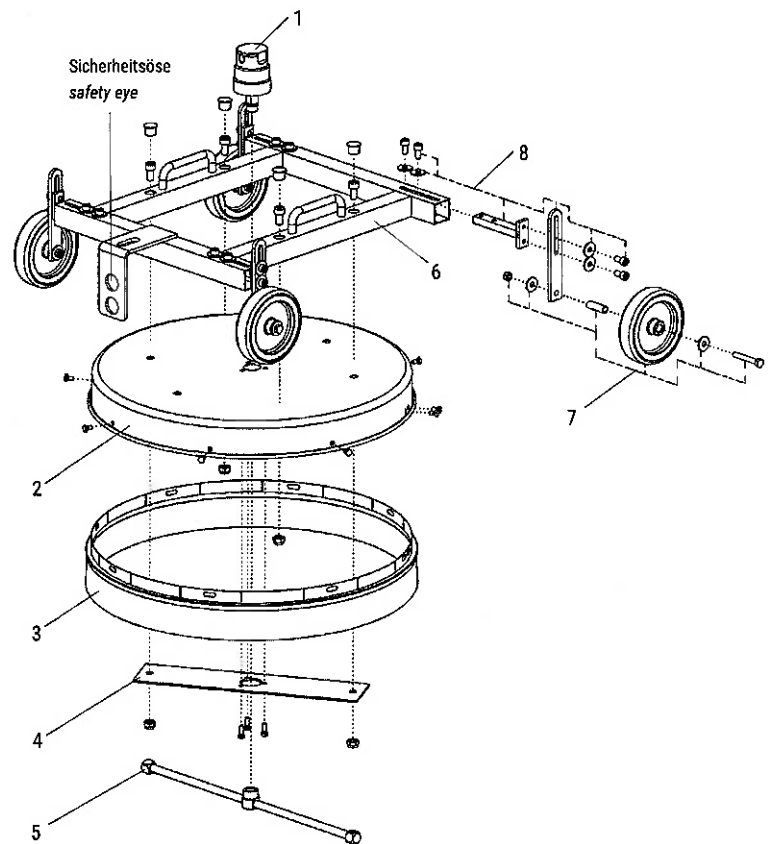
- Read all instructions, check overall conditions and safety requirements before initial operation of the product.
- Our product should only be installed by experienced users of high pressure equipment.
- Safety regulations and guidelines (Accident Prevention Rules) from the manufacturer of your high pressure cleaner are applicable.
- Nozzle installation according to Nozzle manufacturer.
- Do not run the product if the rotor-arm is out of balance or bent, damage to the swivel will result.
- No modifications to the product are permitted.

⚠ Caution:

- Always use protection gear when using products connected to high pressure.
- Before any maintenance or nozzle-change, turn off the high pressure water supply, e.g.: turn off and secure the power switch.
- After turning off the system, allow all selfpropelled equipment to come to a complete stop before handling. Risk of injury due the rotor-arm.
- Do not lift up the product while operating.

⚠ Warning:

- Never direct any high pressure water-jet at humans, animals or electric installations.
- Do not touch the rotor-arm during operation. Risk of injury.
- Use correct pressure and nozzle angle according to roof surface. Operator must be secured according to roof working standards.



Ersatzteilliste / Spare parts list

Pos.	Art. Nr.	Bezeichnung	Description
1	59.403	Drehgelenk (DYTI)	Swivel (DYTI)
2	902.453	Gehäuse	Cover
3	80.9018	Bürstenring Ersatzset	Brush ring replacement-kit
4	900.958	Verstärkungsplatte	Reinforcement plate
5	82.941	Rotorarm ø470	Rotor-arm ø470
6	80.9021	Radaufhängung Ersatzset	Wheel suspension replacement-kit
7	80.9019	Gummirad ø125 Ersatzset	Rubber wheel ø125 replacement-kit
8	80.9022	Radhalter Ersatzset	Wheel holder replacement-kit