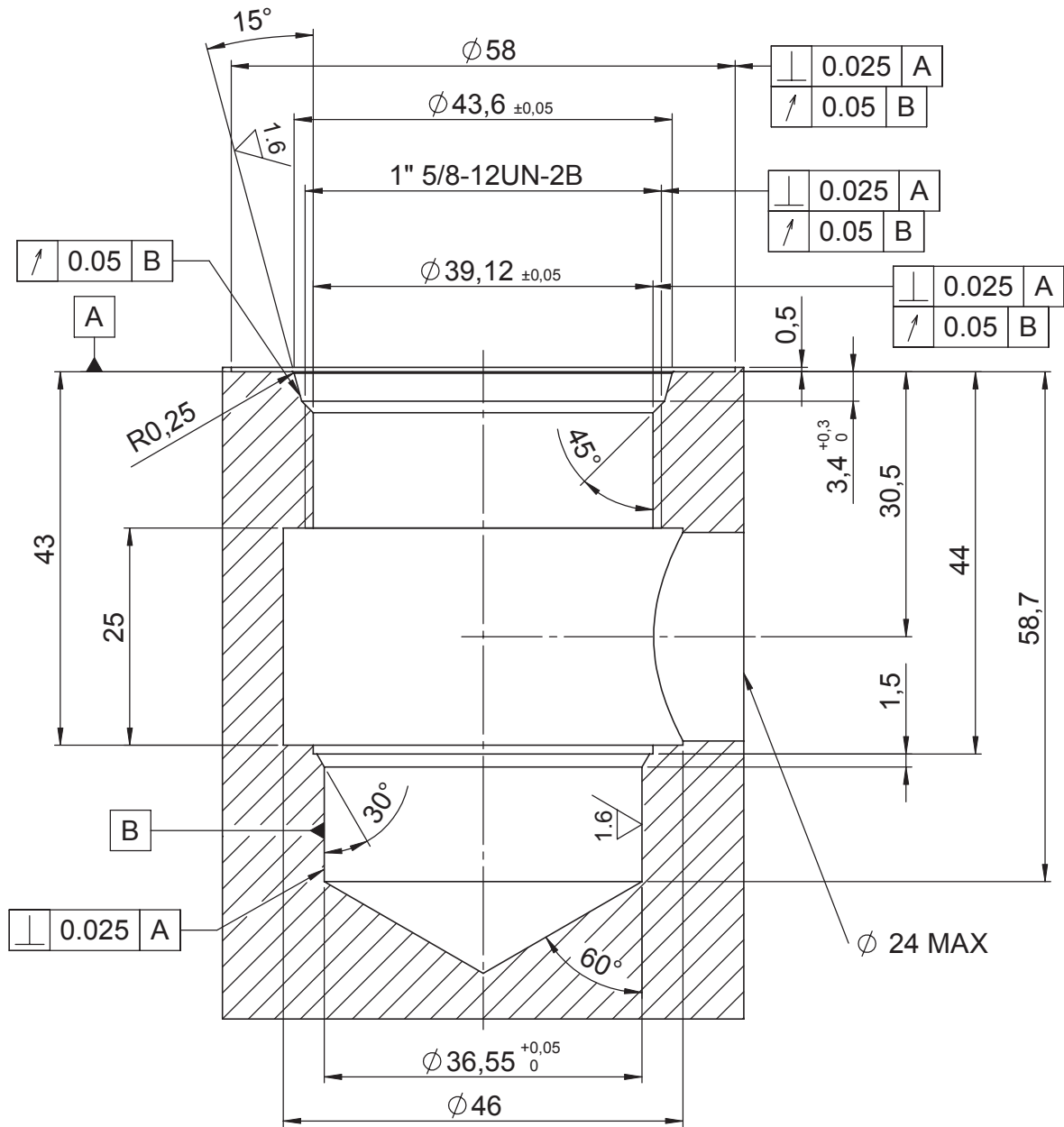


CAVITIES



MAX HOLE $\phi 36$

