

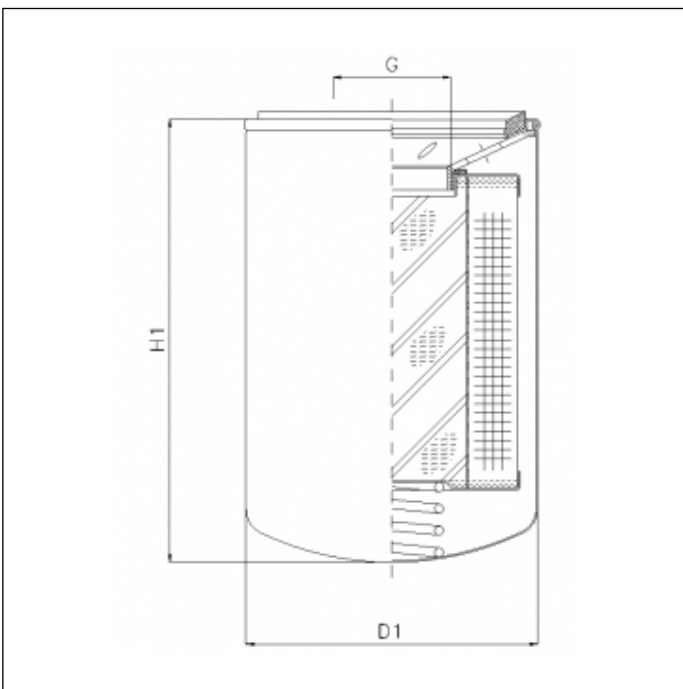

**A140G03**

printed on: 13-07-2024



## TECHNICAL INFO

Media type	INORGANIC FIBERGLASS
Efficiency	<math> < 4 \mu\text{m}_{(c)} \beta_x \geq 200 </math>
Efficiency 1	<math> 5 \mu\text{m}_{(c)} \beta_x \geq 1000 </math>
Max working pressure	17 bar
Seals	NBR
Temperature range	-30°C +100°C



## OVERALL DIMENSIONS

D1	96,0 mm
H1	145,0 mm
G	1 1/2"-16 UN

Technical information may change without notice. Image and drawing are representative only