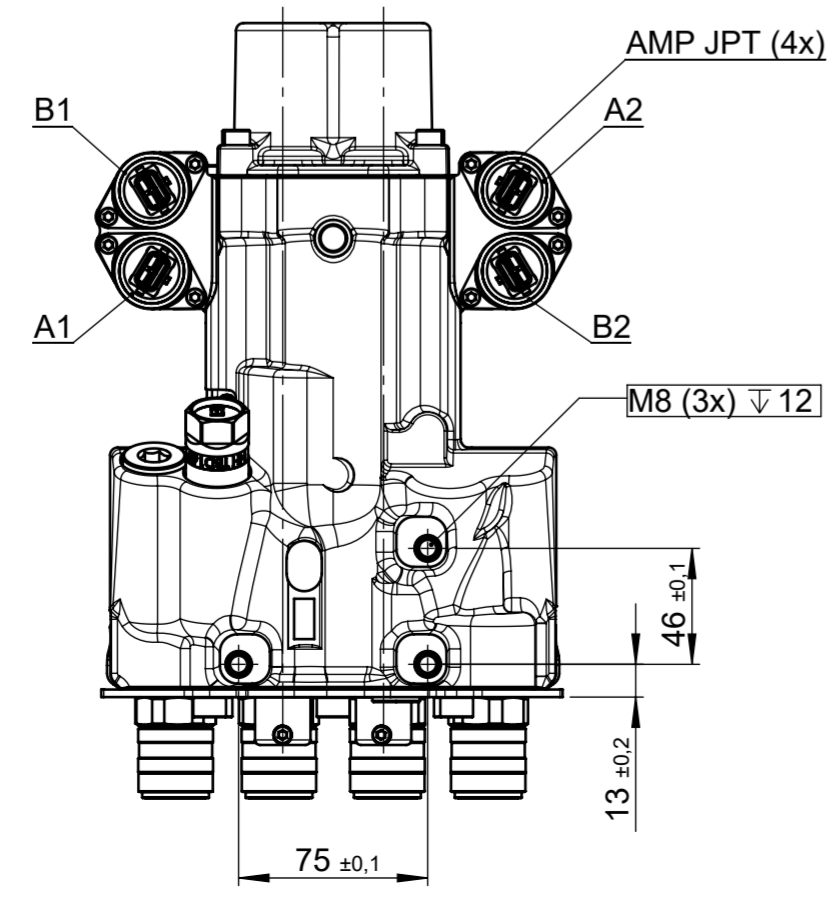
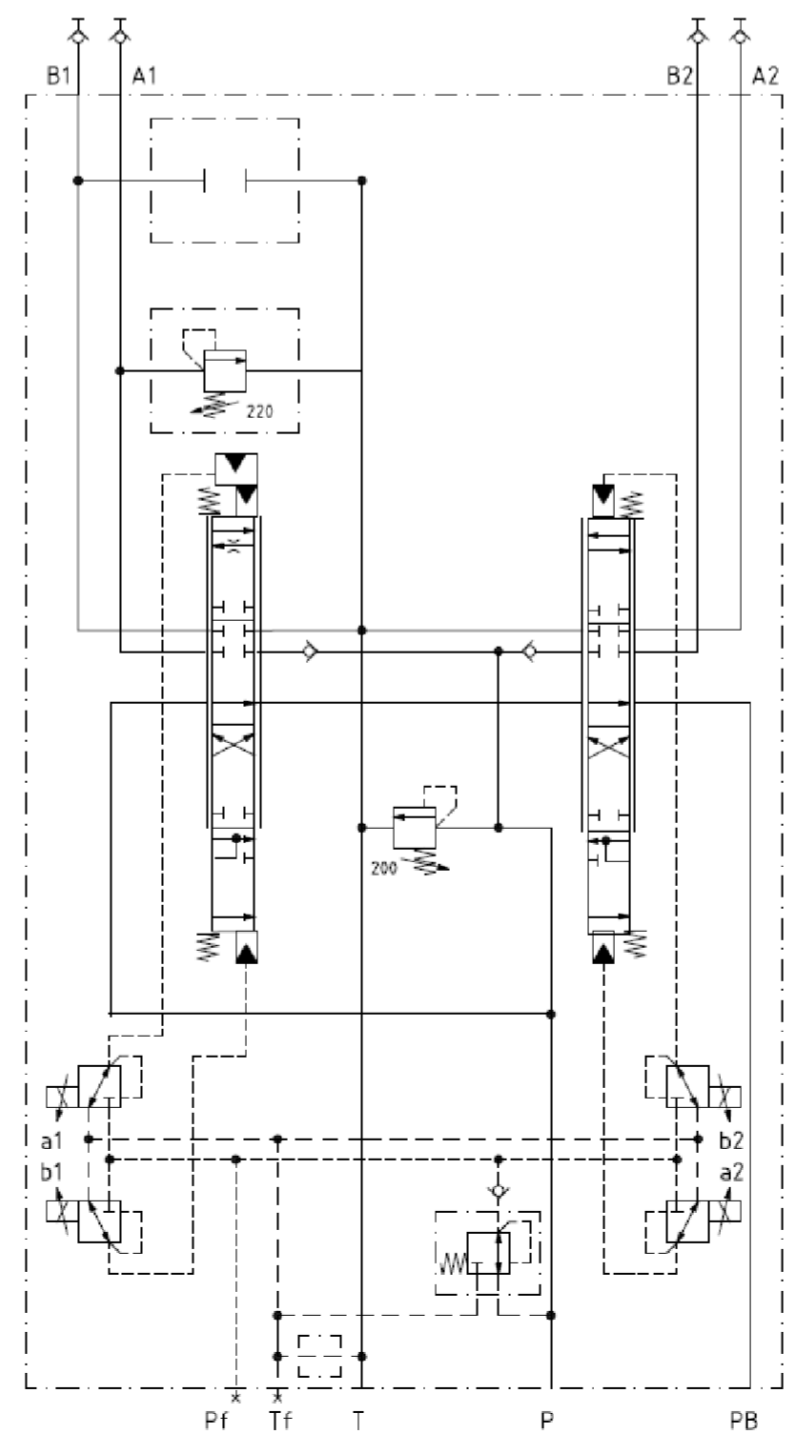
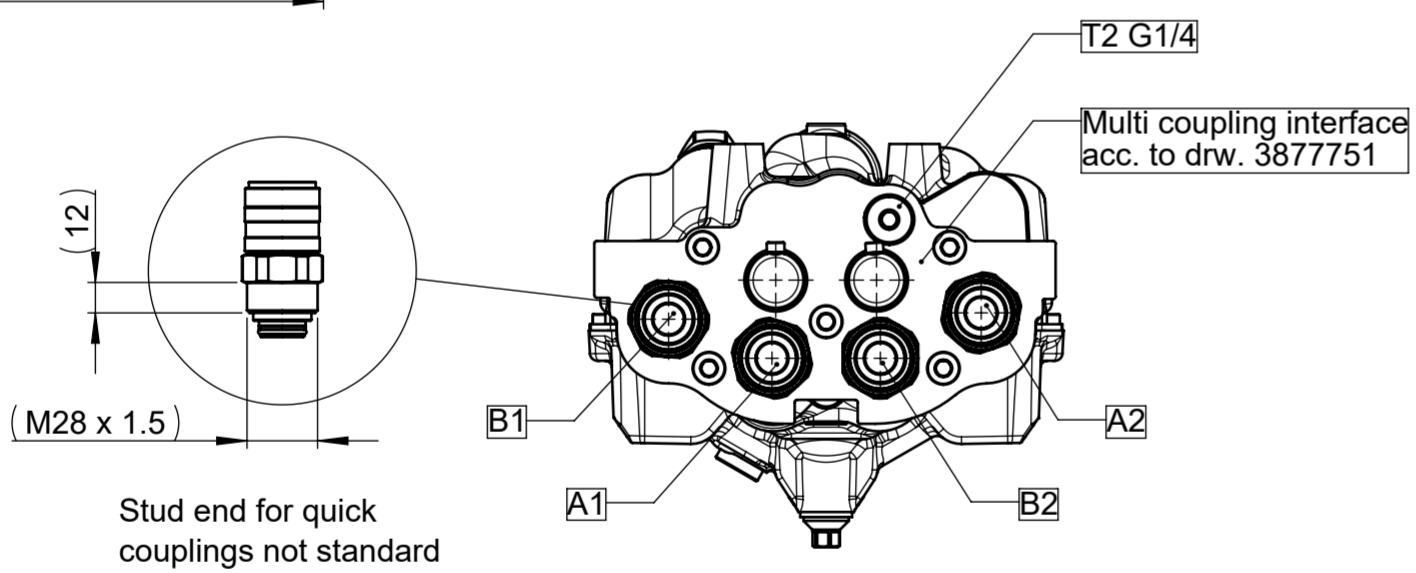


Label Description (example)

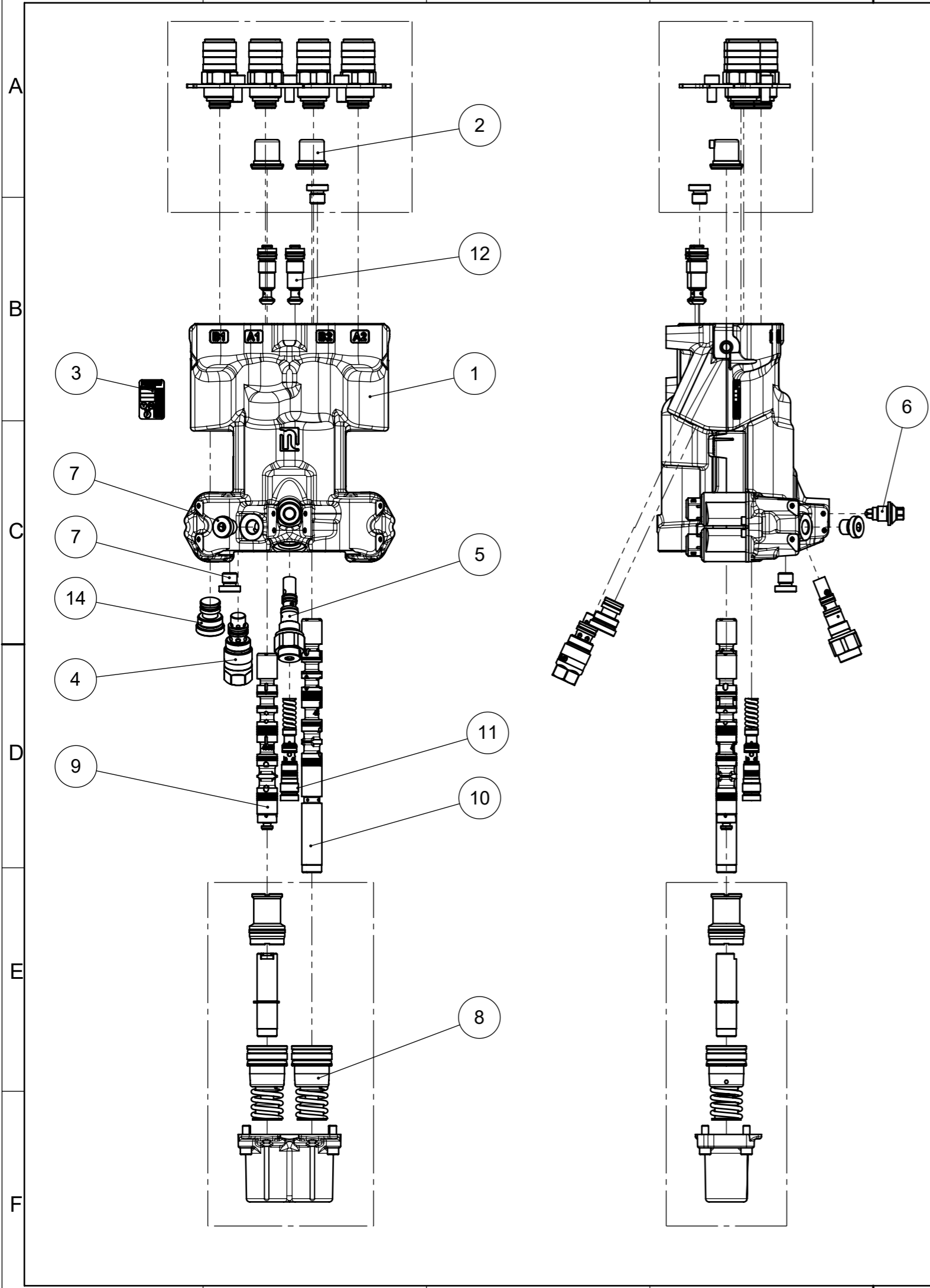
Nordhydraulic Part no.	1555-4815669
Order no.	1234567
Delivery year/week	24-01

Barcode Includes NH part no. (Not the first four digits) and Order no.

<b>Pressure:</b>		QC
Max operating pressure per port:		
P, PB:	250bar	
A/B:	250bar	
T:	20bar	
Burst pressure P, PB, A/B:	800bar	
Pf, pilot pressure	50bar	
Tf, pilot tank	20bar	
<b>Flow:</b>		
P-PB (OC-flow):	Nom. 50 l/min, Max 110 l/min	
<b>Leakage at 100 bar, 40°C and 32cSt :</b>		
A1/B2:	<4cm <sup>3</sup> /min without service port valve	X
	<5cm <sup>3</sup> /min with port relief valve	X
<b>Pressure drop:</b>		
P-PB:	4 bar @ 50 l/min	
P-B1/A2:	8 bar @ 50 l/min	
P-B2/A1:	8 bar @ 50 l/min	
B1/A2-T:	14 bar @ 50 l/min	
B2/A1-T:	66 bar @ 50 l/min	
<b>Pressure relief:</b>		
Main relief valve OC	200bar@50l/min	X
Secondary relief valve	TBD 160 in port A1, 220bar @ 20l/min	
Pilot pressure	24bar, pressure reducing valve TRA 53	
System depending features Open Centre:	Always HPCO,	
	Sealed adjustable pressure relief valve	
<b>Further data:</b>		
Recommended hydraulic fluid	Mineral oil and synthetic oil based on mineral oil	
Hydraulic fluid temperature continuous operation	-15°C - +80°C	
Hydraulic fluid viscosity continuous operation	15-400cSt	
Contamination in hydraulic fluid acc. ISO4406	20/17/14	
Spool Ø:	18mm	
Spool stroke +/- (float):	6/6 (+4mm) Float position in section 1 & 2	
Control current Start	450mA	*
Control current Stop	1000mA	*
Control current Float position:	1500mA	
<b>Valve interface for tractor and loader:</b>		
Mounting holes:	3x M8 c/c 75x46mm	
Electrical connector solenoid	AMP junior timer	
Port to connect accumulator for pilot pressure.		
Port to connect separated tank line to pilot tank.		
Painting	Black RAL 9005	
Weight	17 kg	
X	Tested before delivery	
*	Currents needs to be tuned with the actual controller in the application.	



HYDAC ADA Version	Kanter Corners ISO13715	Allgemeintoleranzen für / General tolerances for Schweißkonstr./ welded struc. EN ISO 13920 - A	Generella toleranser / General tolerances ISO 2768 - v	Generelle toleranser / General tolerances SIZE ISO 14405(E)																
		Ytkvalitet Surface quality	ISO 1302	Form- och lägetolerans / Toleransklass Geometrical tolerances / Tolerance class (H)																
				Basmått / linear dimensions (mm)																
				<table border="1"> <tr> <td>över / over</td> <td>3</td> <td>6</td> <td>30</td> <td>120</td> <td>400</td> <td>1000</td> <td>2000</td> </tr> <tr> <td>tolerans / tolerance</td> <td>±0,5</td> <td>±1</td> <td>±1,5</td> <td>±2,5</td> <td>±4</td> <td>±6</td> <td>±8</td> </tr> </table>	över / over	3	6	30	120	400	1000	2000	tolerans / tolerance	±0,5	±1	±1,5	±2,5	±4	±6	±8
över / over	3	6	30	120	400	1000	2000													
tolerans / tolerance	±0,5	±1	±1,5	±2,5	±4	±6	±8													
				Material / Material																
				Massa / Mass																
				17,000 KG																
				Skala																
				Färdigmått / Finished size																
nr / No	kontrollerad / Chkd. on	kontr. av / Chkd. by	Ä.M.nr / Notice of change No	Del / Part 000																
Vers. / Vers.	ändrad / Modif. on	ändrad av / Modif. by		Datum / Date																
				18.04.2024																
				Namn / Name																
				OSTERLA																
Sida / Sheet of	Benämning / Description			SAP Ritn. / Mat. nr.																
1 / 2	RMS202 MK2 OC EH			SAP Draw. / Mat. No.																
Format / Size				4815669																
A2				Art. nr. / Part No.																
SW-Vers. 2022				1555-4815669																
				NH Ritn nr. / NH Draw. No.																
				Ersätter / Exchange for																
				Ersatt av / Replaced by																



ITEM NO.	QTY.	PART NO.	SAP MTRL.NO.	DESCRIPTION
1	1	2230-4300875	4300875	RMS202 EH, OC, 2-chock, w. plugs, VO52
2	1	2230-4360761	4360761	Quick coupling set, QC02
3	1	8050-4513879	4513879	Lable RMS, L0002
4	1	2275-160338	3709420	TBD160-220
5	1	1505-210710	6900000049	TRA53-24 bar
6	1	2230-803321	6900011262	Check valve asm., PCV01
7	2	2310-800925	3494701	Plug G1/4", PG02
8	1	2165-4361950	4361950	Spool control asm., SCE11
9	1	2118-4358549	4358549	Spool SO050
10	1	2118-4363080	4363080	Spool SO051
11	1	2275-3805986	3805986	TBD90
12	2	2230-802588	6900011208	Check valve asm., MB01
13	4	2230-4744973	4744973	ER1225AH
14	1	2310-210313	6900002233	P 400 PLUG

HYDAC ADA Version		Kanter Corners ISO13715	Allgemeintoleranzen für / General tolerances for Schweißkonstr./ welded struc. EN ISO 13920 - A		Generella toleranser / General tolerances ISO 2768 - v SIZE ISO 14405 (E)																									
			Ytkvalitet Surface quality		ISO 1302 Form- och lägetolerans / Toleransklass Geometrical tolerances / Tolerance class (H)																									
					Basmått / linear dimensions (mm)																									
					<table border="1"> <tr> <td>över / over</td> <td>3</td> <td>6</td> <td>30</td> <td>120</td> <td>400</td> <td>1000</td> <td>2000</td> </tr> <tr> <td>t o m / to</td> <td>6</td> <td>30</td> <td>120</td> <td>400</td> <td>1000</td> <td>2000</td> <td>4000</td> </tr> <tr> <td></td> <td>±0,5</td> <td>±1</td> <td>±1,5</td> <td>±2,5</td> <td>±4</td> <td>±6</td> <td>±8</td> </tr> </table>		över / over	3	6	30	120	400	1000	2000	t o m / to	6	30	120	400	1000	2000	4000		±0,5	±1	±1,5	±2,5	±4	±6	±8
över / over	3	6	30	120	400	1000	2000																							
t o m / to	6	30	120	400	1000	2000	4000																							
	±0,5	±1	±1,5	±2,5	±4	±6	±8																							
					Material / Material																									
					Massa / Mass																									
					17,000 KG																									
					Skala Färdigmått / Finished size																									
					1:4																									
nr No Vers.	kontrollerad Chkd. on Vers.	kontr. av Chkd. by ändrad av Modif. by	Ä.M.nr Notice of change No	Del / Part 000 ritad / Drawn kontr. / Chkd.	Datum / Date 18.04.2024	Namn / Name OSTERLA																								
Sida Sheet of 2 / 2		Benämning / Description RMS202 MK2 OC EH																												
Format/Size A3				SAP Ritn. / Mat. nr. 4815669																										
SW-Vers. 2022				SAP Draw. / Mat. No. 1555-4815669																										
				Art. nr. / Part No. 1555-4815669																										
				NH Ritn nr. / NH Draw. No.																										
				Ersätter/Exchange for																										
				Ersatt av / Replaced by																										